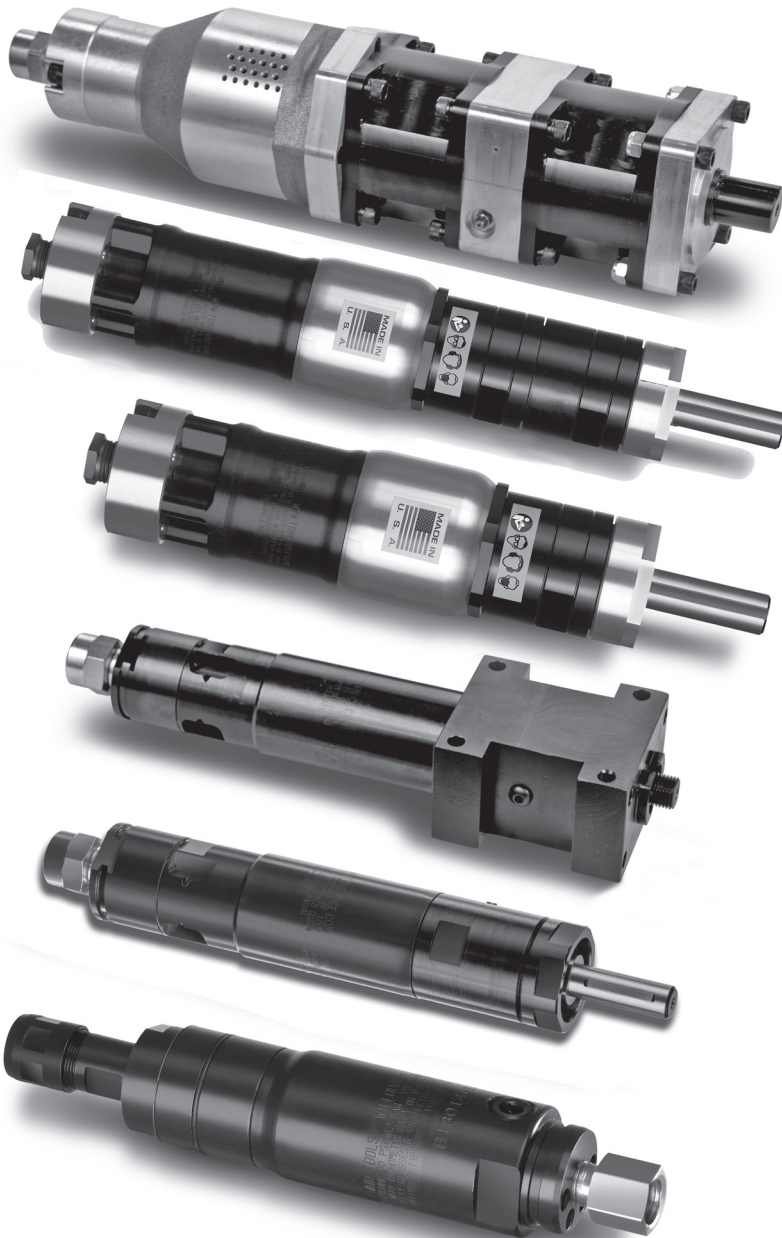


Motors

Top Cat Air Motors



77

**300 SERIES MOTORS**

- 0.7 H.P.
- 150-30000 Speed Range



78

**400 SERIES MOTORS**

- 1.2 H.P.
- 120-20000 Speed Range



79

**517 & 527 SERIES MOTORS**

- 1.5 and 2.0 H.P.
- 125-4000 Speed Range



80

**664 SERIES MOTORS**

- 4.0 H.P.
- 85-850 Speed Range

# Motors

## 0.7 H.P. Motors



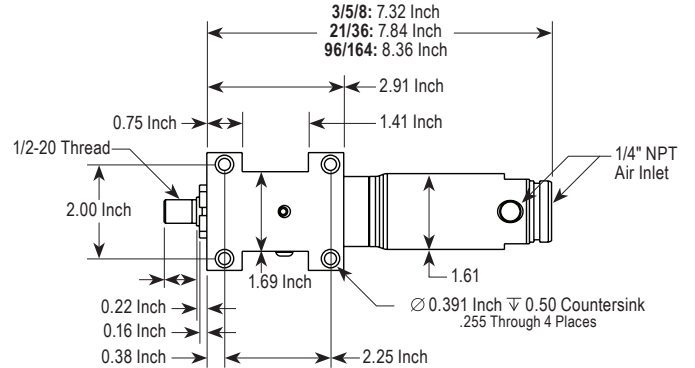
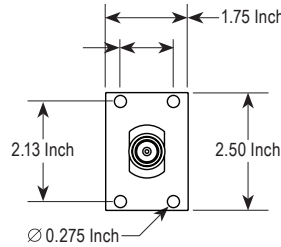
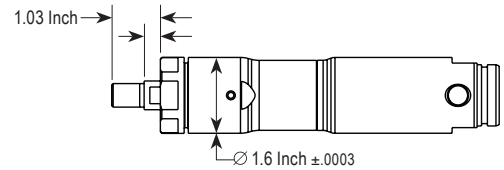
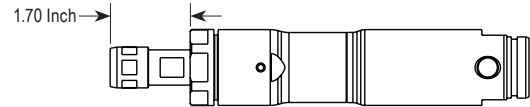
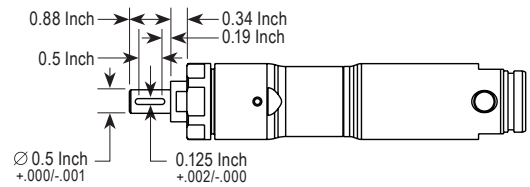
300MR;SPEED;C1/4



300M(X)MR;SPEED;K500



300M(X)MBR;SPEED;T520



Output	Gear Ratio	RPM		Stall Torque		Weight	Round Housing	Flange and Base Mounting
		at Max H.P.	Free Speed	ft. lbs.	Nm		MODEL NUMBER	MODEL NUMBER
1/2 Inch Keyed	3:1	4125	8250	2.6	3.5	2.50 Lbs. (1.13 Kg)	300M3MR;8250;K500	300M3MBR;8250;K500
	5:1	3000	6000	3.5	4.8		300M5MR;6000;K500	300M5MBR;6000;K500
	8:1	1875	3750	5.8	7.9		300M8MR;3750;K500	300M8MBR;3750;K500
	21:1	650	1300	16.0	21.8	5.00 Lbs. (2.27 Kg)	300M21MR;1300;K500	300M21MBR;1300;K500
	36:1	400	800	26.7	36.3		300M36MR;800;K500	300M36MBR;800;K500
	98:1	150	300	73.7	99.8		300M98MR;300;K500	300M98MBR;300;K500
1/2 X 20 Threaded	164:1	75	150	123.2	167.0	7.50 Lbs. (3.39 Kg)	300M164MR;150;K500	300M164MBR;150;K500
	3:1	4125	8250	2.6	3.5		300M3MR;8250;T520	300M3MBR;8250;T520
	5:1	3000	6000	3.5	4.8		300M5MR;6000;T520	300M5MBR;6000;T520
	8:1	1875	3750	5.8	7.9	4.76 Lbs. (2.16 Kg)	300M8MR;3750;T520	300M8MBR;3750;T520
	21:1	650	1300	16.0	21.8		300M21MR;1300;T520	300M21MBR;1300;T520
	36:1	400	800	26.7	36.3		300M36MR;800;T520	300M36MBR;800;T520
Collet	98:1	150	300	73.7	99.8	6.69 Lbs. (3.03 Kg)	300M98MR;300;T520	300M98MBR;300;T520
	164:1	75	150	123.2	167.0		300M164MR;150;T520	300M164MBR;150;T520
	1:1	15000	30000	0.8	1.1		300MR;30000;C1/4	
	1:1	12500	25000	0.8	1.1	300MR;25000;C1/4		
	1:1	9000	18000	0.8	1.1	307MR;18000;C1/4		
	3:1	4125	8250	2.6	3.5	2.55 Lbs. (1.16 Kg)	300M3MR;8250;C1/4	300M3MBR;8250;C1/4
	5:1	3000	6000	3.5	4.8		300M5MR;6000;C1/4	300M5MBR;6000;C1/4
	8:1	1875	3750	5.8	7.9		300M8MR;3750;C1/4	300M8MBR;3750;C1/4
	21:1	650	1300	16.0	21.8	4.87 Lbs. (2.21 Kg)	300M21MR;1300;C1/4	300M21MBR;1300;C1/4
	36:1	400	800	26.7	36.3		300M36MR;800;C1/4	300M36MBR;800;C1/4
	98:1	150	300	73.7	99.8		300M98MR;300;C1/4	300M98MBR;300;C1/4
	164:1	75	150	123.2	167.0	7.17 Lbs. (3.24 Kg)	300M164MR;150;C1/4	300M164MBR;150;C1/4

Note: The Flange & Base Mounting option adds 1.22 Lbs. (0.55 Kg) to weight

# Motors

## 1.2 H.P. Motors



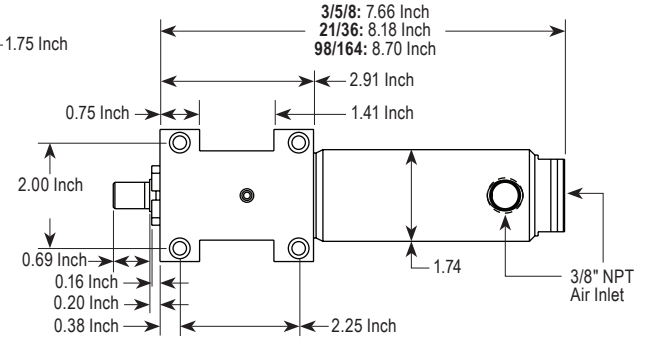
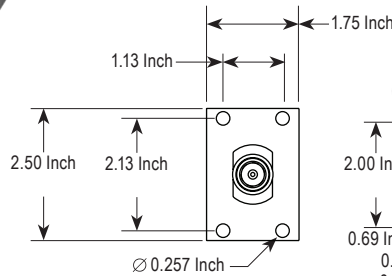
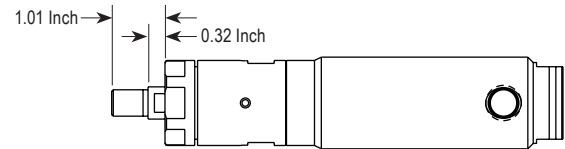
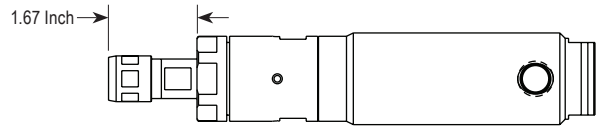
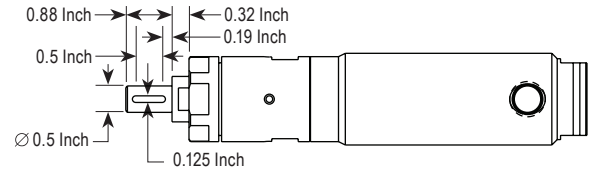
400MR;SPEED;C1/4



400M(X)MR;SPEED;K500



400M(X)MBR;SPEED;T520



MOTORS

Output	Gear Ratio	RPM		Stall Torque		Weight	Round Housing	Flange and Base Mounting
		at Max H.P.	Free Speed	ft. lbs.	Nm		MODEL NUMBER	MODEL NUMBER
1/2 Inch Keyed	3:1	2250	5500	4.6	6.3	3.23 Lbs. (1.46 Kg)	400M3MR;5500;K500	400M3MBR;5500;K500
	5:1	2000	4000	6.2	8.4		400M5MR;4000;K500	400M5MBR;4000;K500
	8:1	1250	2500	10.3	14.0		400M8MR;2500;K500	400M8MBR;2500;K500
	21:1	450	900	28.4	38.6	5.53 Lbs. (2.51 Kg)	400M21MR;900;K500	400M21MBR;900;K500
	36:1	275	550	47.5	64.6		400M36MR;550;K500	400M36MBR;550;K500
	98:1	100	200	131.1	177.7		400M98MR;200;K500	400M98MBR;200;K500
	164:1	60	120	219.1	297.1		400M164MR;120;K500	400M164MBR;120;K500
1/2 X 20 Threaded	3:1	2250	5500	4.6	6.3	3.12 Lbs. (1.41 Kg)	400M3MR;5500;T520	400M3MBR;5500;T520
	5:1	2000	4000	6.2	8.4		400M5MR;4000;T520	400M5MBR;4000;T520
	8:1	1250	2500	10.3	14.0		400M8MR;2500;T520	400M8MBR;2500;T520
	21:1	450	900	28.4	38.6	5.37 Lbs. (2.43 Kg)	400M21MR;900;T520	400M21MBR;900;T520
	36:1	275	550	47.5	64.6		400M36MR;550;T520	400M36MBR;550;T520
	98:1	100	200	131.1	177.7		400M98MR;200;T520	400M98MBR;200;T520
	164:1	60	120	219.1	297.1		400M164MR;120;T520	400M164MBR;120;T520
Collet	1:1	10000	20000	1.3	1.8	2.53 Lbs. (1.15 Kg)	400MR;20000;C1/4	
	1:1	9000	18000	1.3	1.8		400MR;18000;C1/4	
	1:1	7500	15000	1.3	1.8		407M;15000;C1/4	
	1:1	6000	12000	1.3	1.8	2.67 Lbs. (1.21 Kg)	407M;12000;C1/4	
	3:1	2250	5500	4.6	6.3		400M3MR;5500;C1/4	400M3MBR;5500;C1/4
	5:1	2000	4000	6.2	8.4	3.30 Lbs. (1.49 Kg)	400M5MR;4000;C1/4	400M5MBR;4000;C1/4
	8:1	1250	2500	10.3	14.0		400M8MR;2500;C1/4	400M8MBR;2500;C1/4
	21:1	450	900	28.4	38.6		400M21MR;900;C1/4	400M21MBR;900;C1/4
	36:1	275	550	47.5	64.6	5.55 Lbs. (2.51 Kg)	400M36MR;550;C1/4	400M36MBR;550;C1/4
	98:1	100	200	131.1	177.7		400M98MR;200;C1/4	400M98MBR;200;C1/4
	164:1	60	120	219.1	297.1		400M64MR;120;C1/4	400M164MBR;120;C1/4

# Motors

## 517 Series Motors

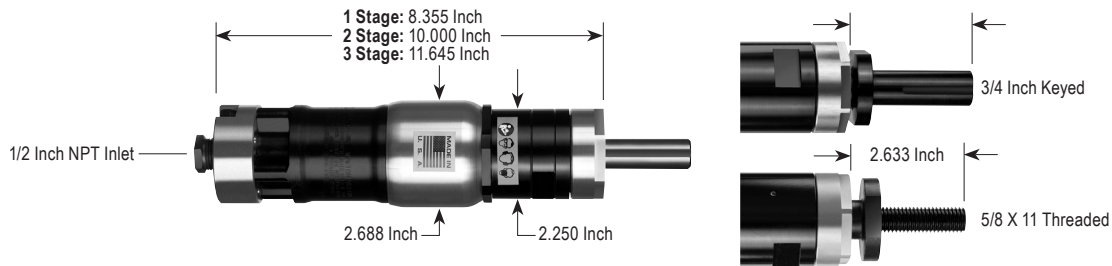


517H1MFT;K750

517H1MFT;T625

517H2MFT;T625

Output	Gear Ratio	RPM		Stall Torque		Weight	MODEL NUMBER
		at Max H.P.	Free Speed	ft. lbs.	Nm		
3/4 Inch Keyed	4:1	2000	4000	7.3	9.9	6.58 Lbs. (2.98 Kg)	517H1MFT;4000;K750
	16:1	500	1000	29.3	39.8	8.18 Lbs. (3.71 Kg)	517H2MFT;1000;K750
	64:1	125	250	117.3	159.9	9.78 Lbs. (4.43 Kg)	517H3MFT;250;K750
5/8 X 11 Threaded	4:1	2000	4000	7.3	9.9	6.15 Lbs. (2.79 Kg)	517H1MFT;4000;T625
	16:1	500	1000	29.3	39.8	7.75 Lbs. (3.51 Kg)	517H2MFT;1000;T625
	64:1	125	250	117.3	159.9	9.35 Lbs. (4.24 Kg)	517H3MFT;250;T625



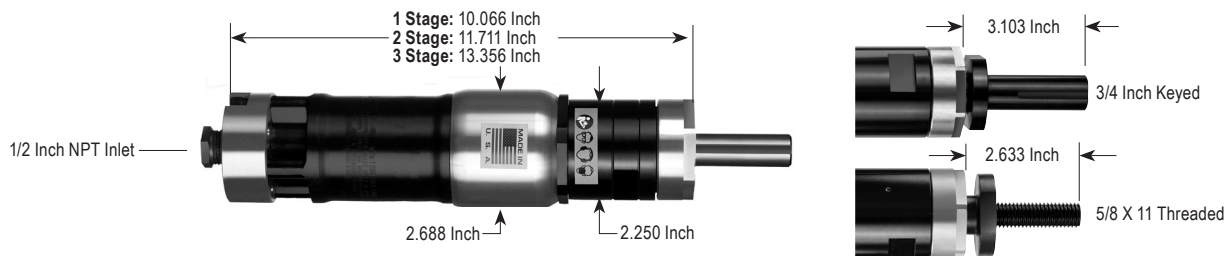
## 527 Series Motors



527H1MFT;K750

527H2MFT;T750

Output	Gear Ratio	RPM		Stall Torque		Weight	MODEL NUMBER
		at Max H.P.	Free Speed	ft. lbs.	Nm		
3/4 Inch Keyed	4:1	1500	3000	14.7	20.0	8.47 Lbs. (3.84 Kg)	527H1MFT;3000;K750
	16:1	375	750	58.7	79.8	10.07 Lbs. (4.56 Kg)	527H2MFT;750;K750
	64:1	90	180	234.7	319.2	11.67 Lbs. (5.29 Kg)	527H3MFT;180;K750
5/8 X 11 Threaded	4:1	1500	3000	14.7	20.0	8.04 Lbs. (3.64 Kg)	527H1MFT;3000;T625
	16:1	375	750	58.7	79.8	9.64 Lbs. (4.37 Kg)	527H2MFT;750;T625
	64:1	90	180	234.7	319.2	11.24 Lbs. (5.09 Kg)	527H3MFT;180;T625



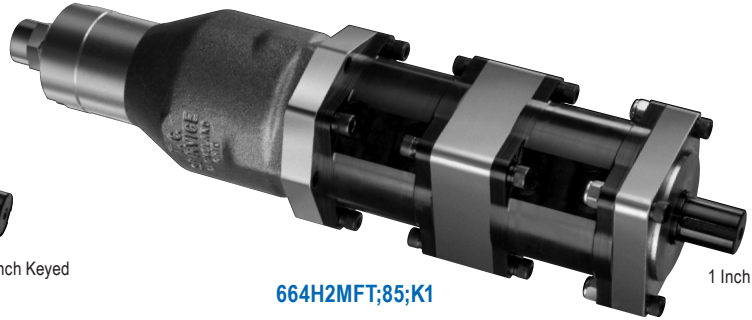
# Motors

## 664 Series Motors



664H1MFT;850;K1

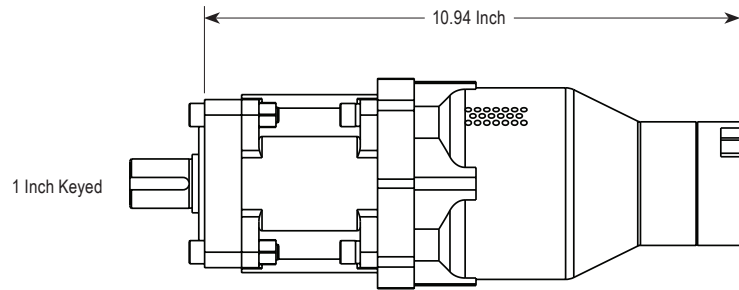
1 Inch Keyed



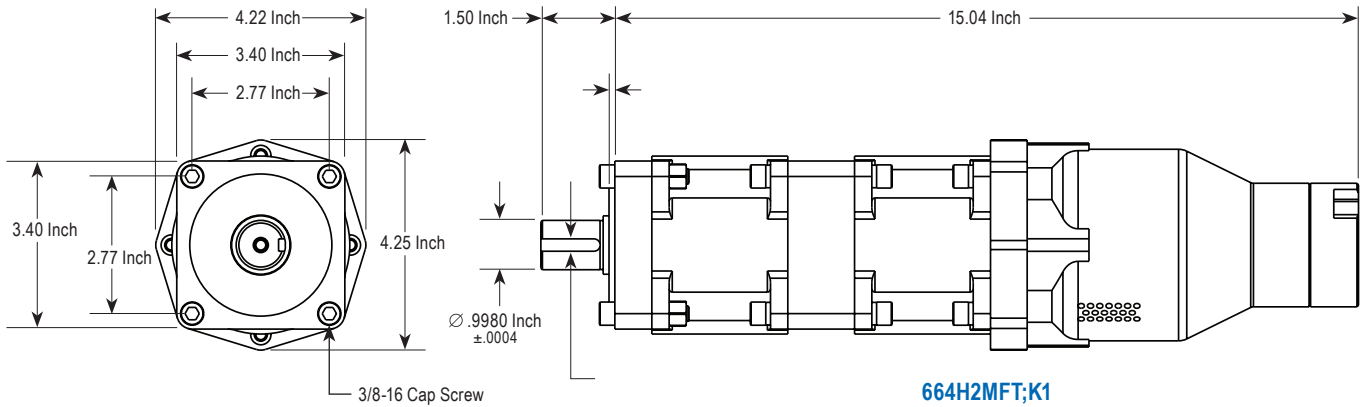
664H2MFT;85;K1

1 Inch Keyed

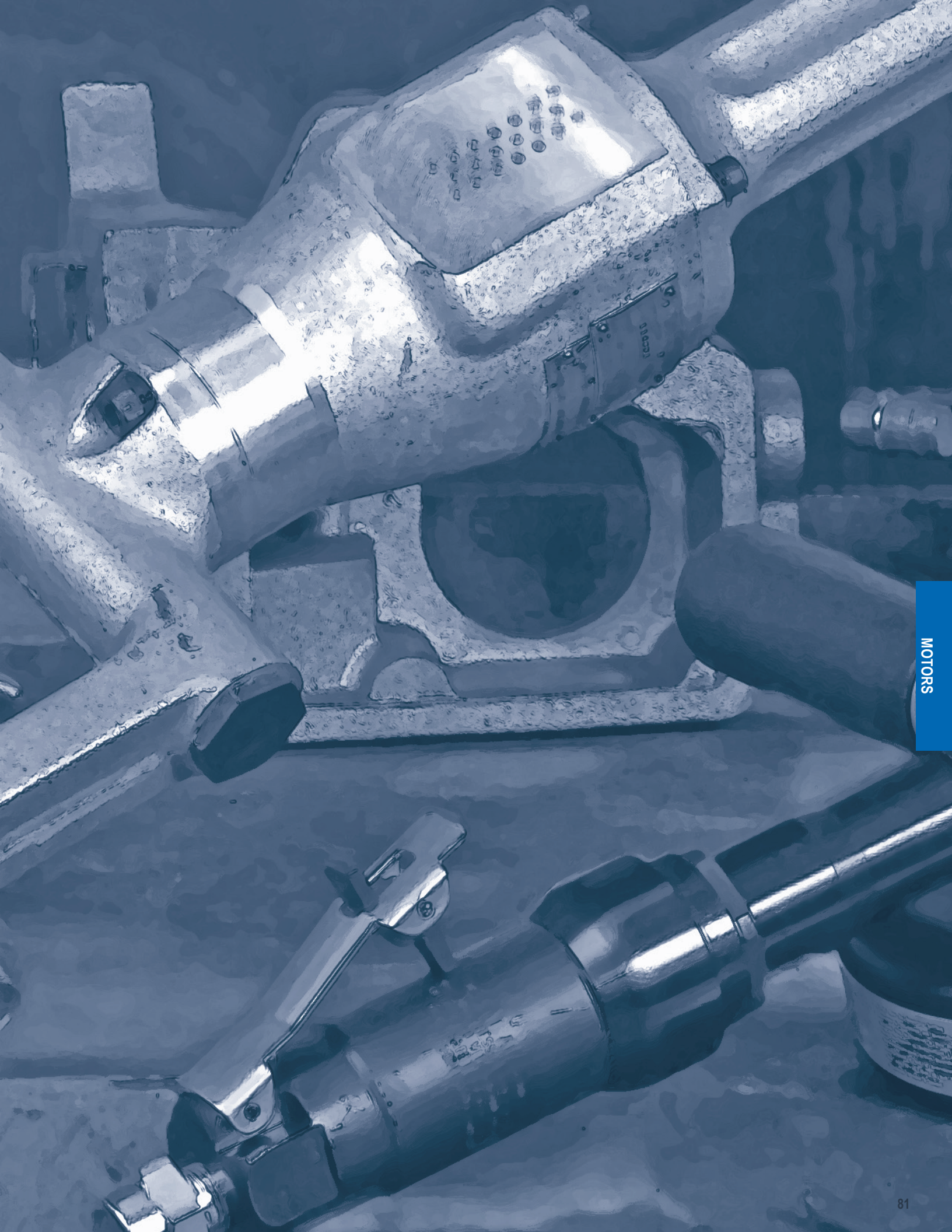
Output	Gear Ratio	RPM		Stall Torque		Weight	MODEL NUMBER
		at Max H.P.	Free Speed	ft. lbs.	Nm		
1 Inch Keyed	10:1	425	850	73.2	99.2	15.08 Lbs. (6.83 Kg)	664H1MFT;850;K1
	100:1	42	85	720.3	976.6	22.89 Lbs. (10.37 Kg)	664H2MFT;85;K1



664H1MFT



664H2MFT;K1



MOTORS